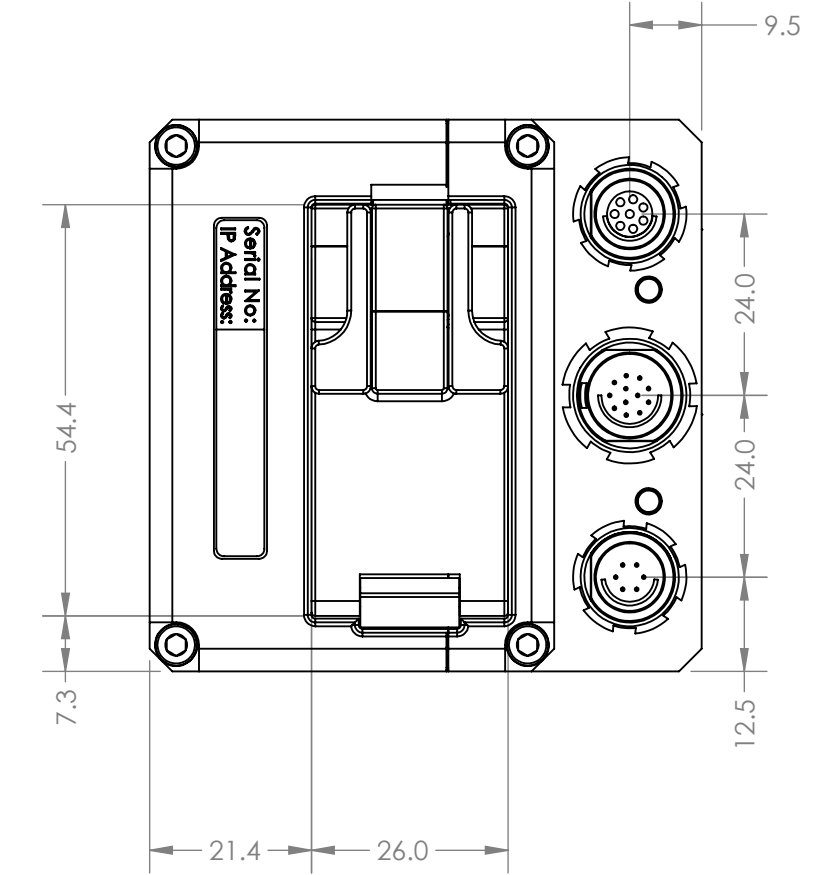
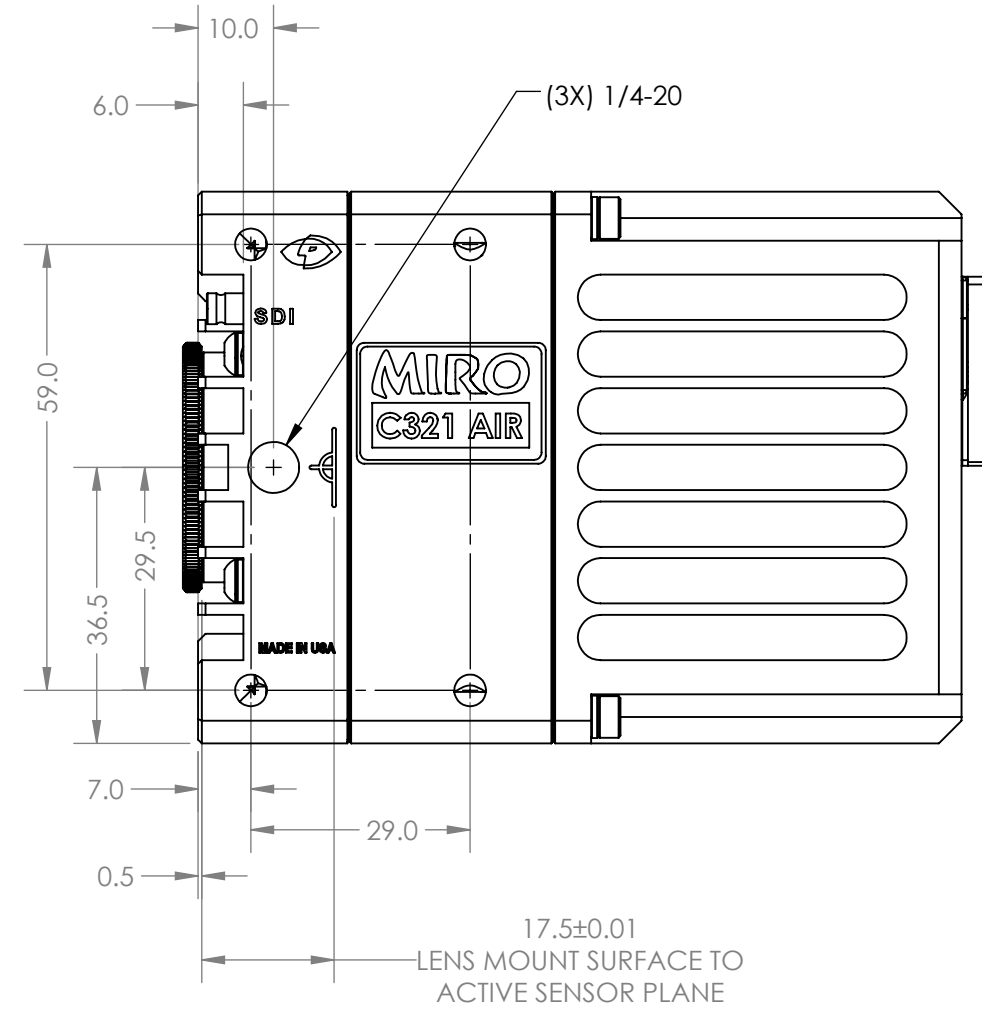
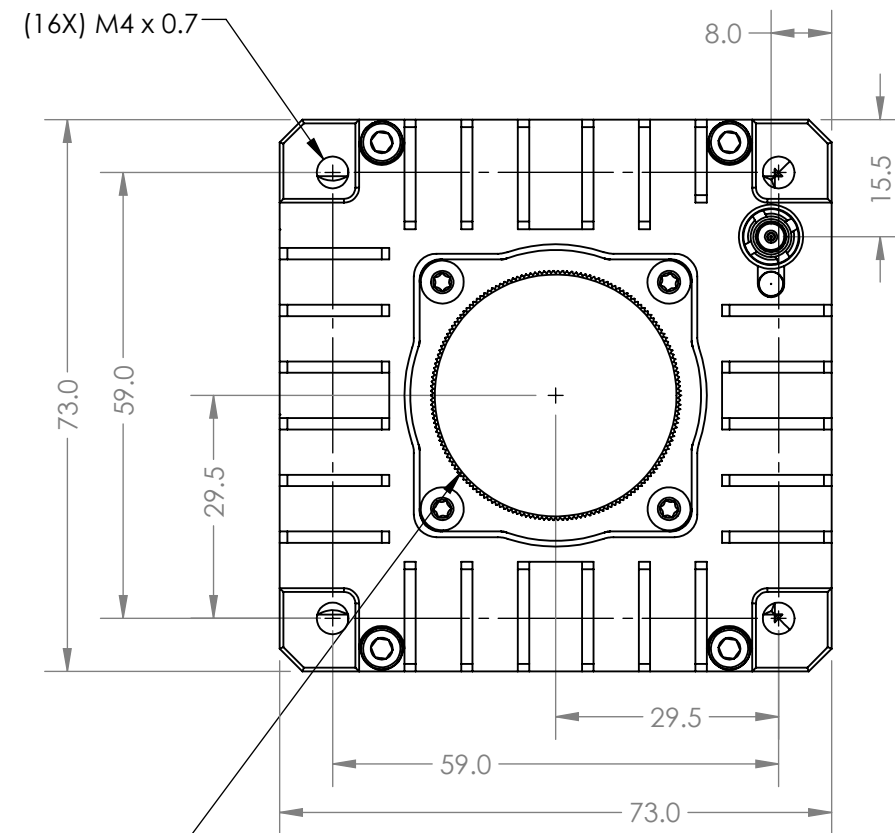
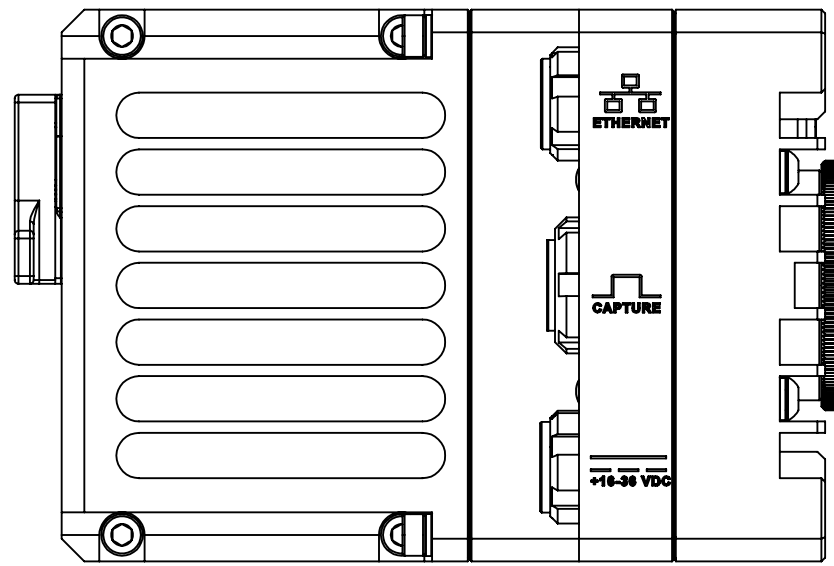
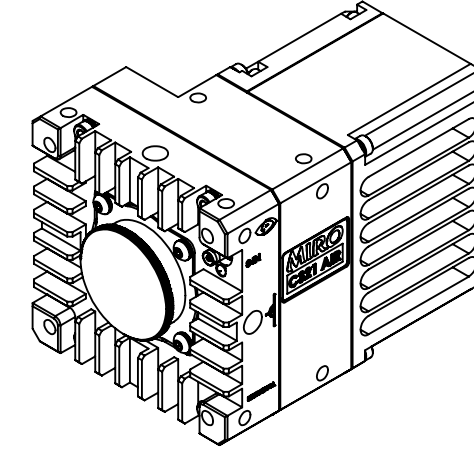
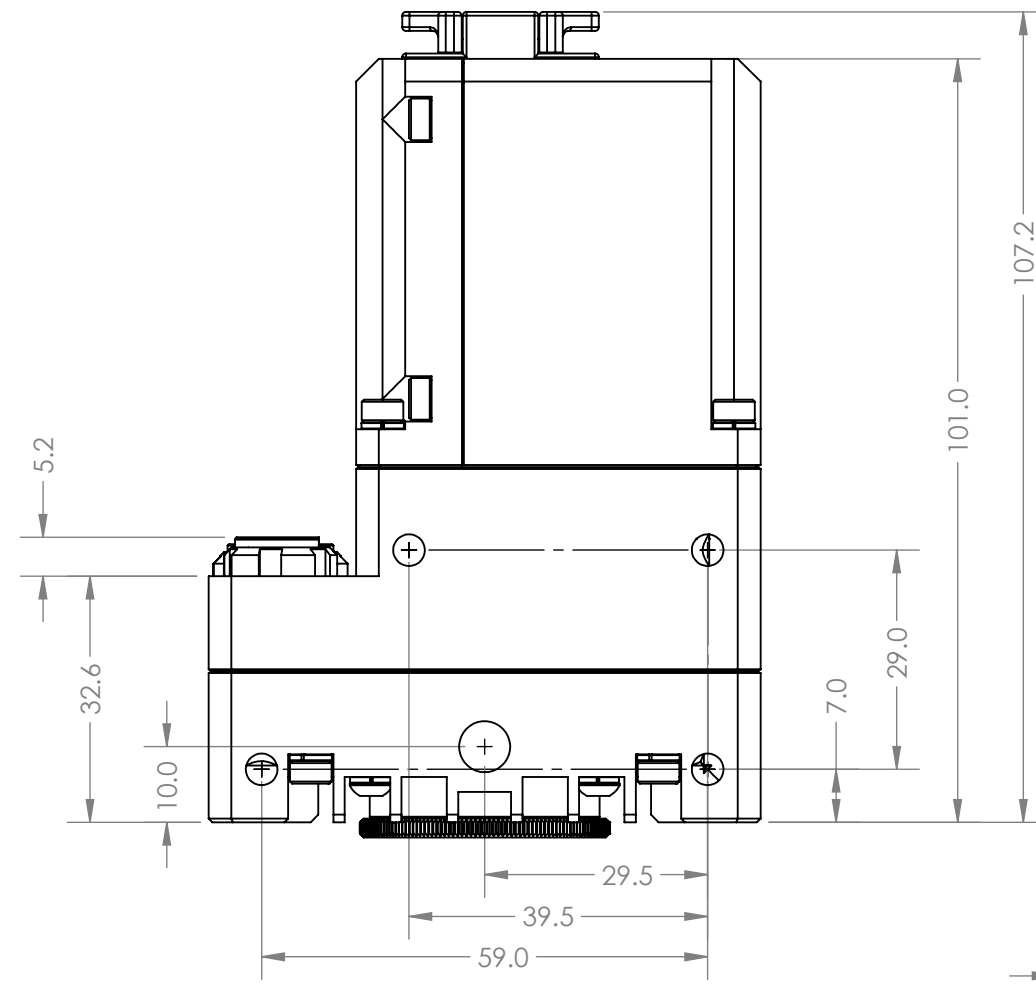
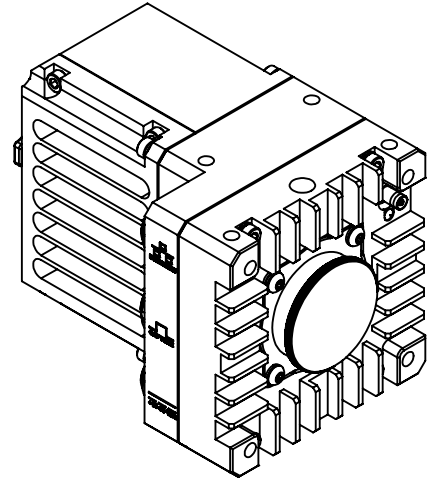
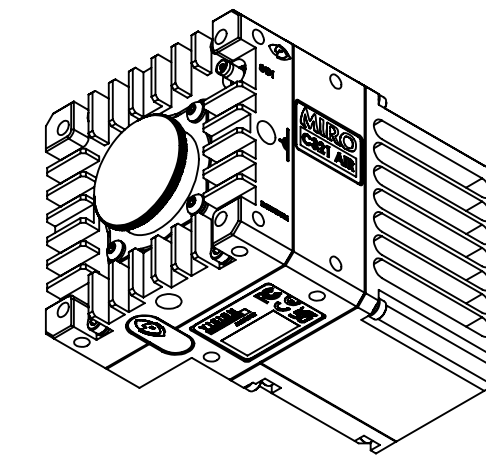
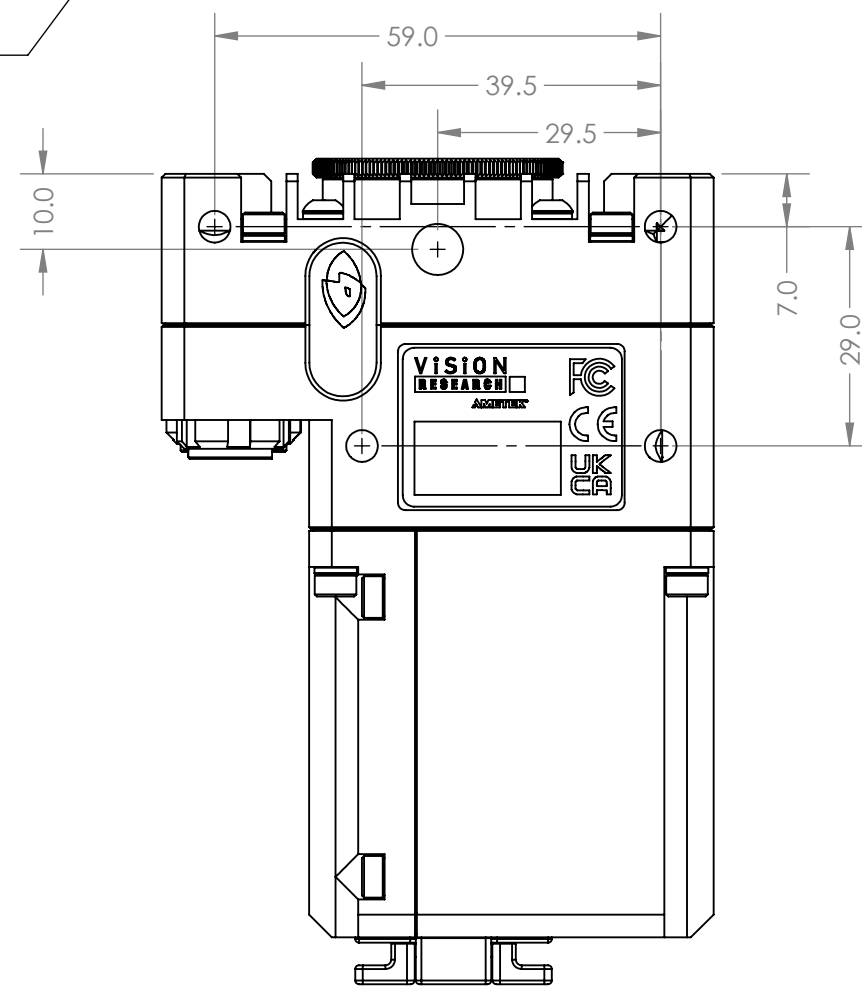


REVISIONS HISTORY			
REV.	DESCRIPTION	DRN BY	APP'D BY
0	INITIAL RELEASE	WRD 8/23/23	



1-32 (INTERNAL THREAD FOR C-MOUNT LENS)



PROPRIETARY AND CONFIDENTIAL
THE INFORMATION CONTAINED IN THIS DRAWING IS THE SOLE PROPERTY OF VISION RESEARCH. ANY REPRODUCTION IN PART OR AS A WHOLE WITHOUT THE WRITTEN PERMISSION OF VISION RESEARCH IS PROHIBITED.

UNLESS OTHERWISE SPECIFIED:
DIMENSIONS ARE IN MM
TOLERANCES:
FRACTIONAL: ±1/64
ANGULAR: MACH ±0.5
ONE PLACE: ±0.25
TWO PLACE: ±0.13
INTERPRET GEOMETRIC TOLERANCING PER:
MATERIAL:
FINISH:
DO NOT SCALE DRAWING

NAME	DATE
WRD	8/23/23
DRAWN	
CHECKED	
ENG APPR.	
MFG APPR.	
Q.A.	

VISION RESEARCH
100 Dey Road
Wayne, New Jersey 07470 USA
973-696-4500
TITLE:
CUSTOMER DRAWING, C321-AIR
SIZE DWG. NO. REV
C ZDOC-64106-CD-0018 0
SCALE 1:1 SHEET 1 OF 1

APPLICATION	C321-AIR
NEXT ASSY	USED ON

